

FSN2283A.B01 爆炸圖 B 2019/08/12

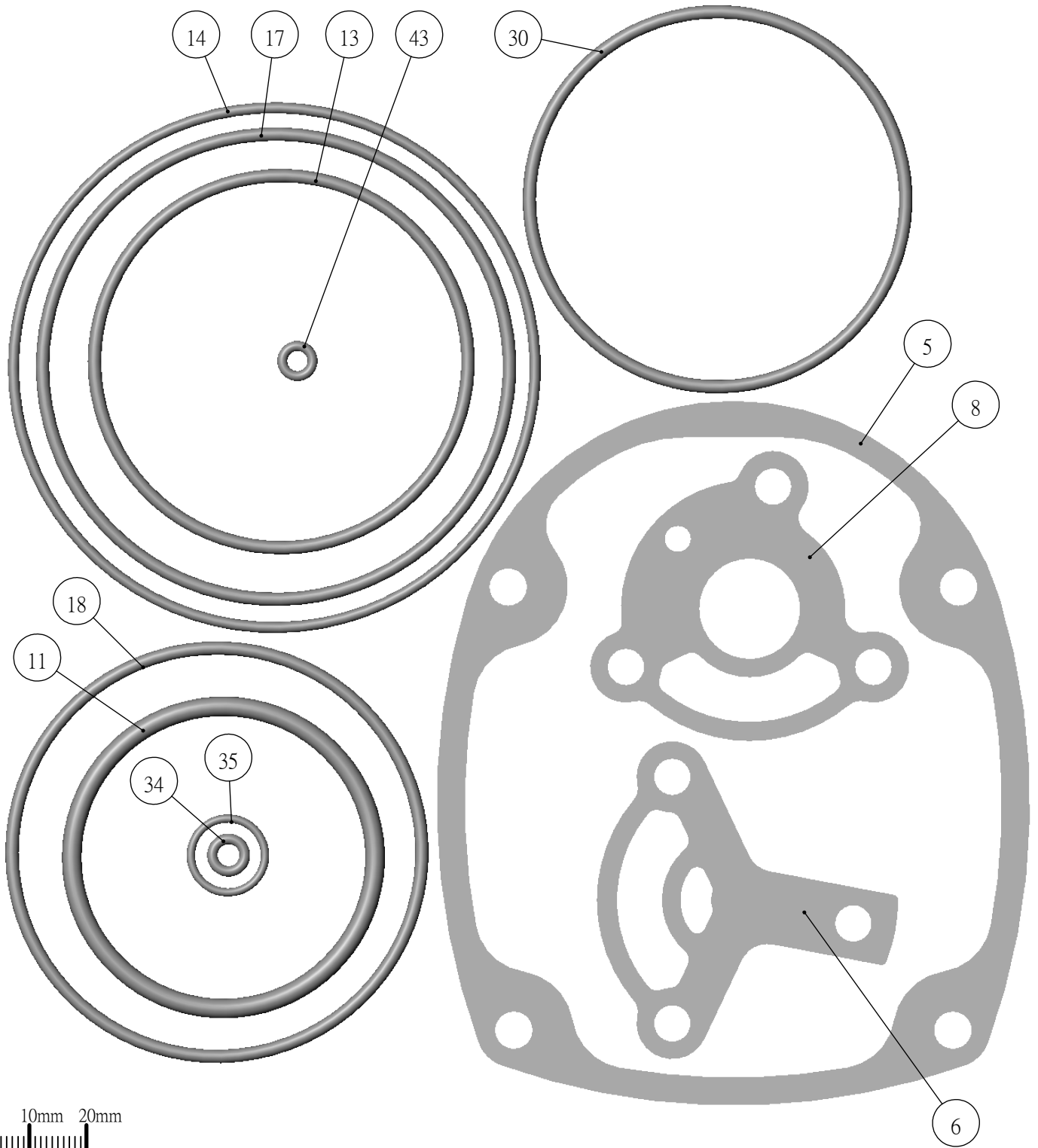
FSN2283A		NOTE:When ordering spare parts.Please state the part name and part number.									
Item	Part NO.	Description	Q'ty	Item	Part NO.	Description	Q'ty	Item	Part NO.	Description	Q'ty
1	106001	Hex.Soc.Hd.Bolt M6*45	3	33	106037	Spring	1	65	106058	Protective Cover	1
2	100682	Spring Washer	7	34	106038	O-Ring	1	66	101330	Screw M5 x 12	1
3	100127	Hex.Soc.Hd.Bolt M6*30	4	35	106041	O-Ring	3	67	106067	Nut	1
4	106003	Cap, Cylinder Unit	1	36	106039	Pilot Valve	1	68	106063	Spring	1
5	106005	Cylinder Cap Seal	1	37	106040	Valve Bushing	1	69	106061	Stop Lever	1
6	106006	Gasket A	1	38	106043	Plunger B	1	70	106062	Bushing	1
7	106002	Exhaust Piece	1	39	106044	Washer	1	71	100685	Washer	1
8	106009	Gasket B	1	40	106045	Ball Valve	1	72	100654	Lock Nut	1
9	106010	Exhaust Valve	1	41	106046	Fix-Plate	1	73	106097	Roll Pin	1
10	106011	Head cap	1	42	106047	Trigger Valve Bushing	1		103428	Sequential Mode Conversion kit	(1)
11	106014	O-Ring	1	43	106065	O-Ring	1	MOQ for items in the following categories is 10pcs, order quantities under 10pcs for these items will be adjusted accordingly			
12	102066	Main Piston Unit	1	44	106048	Trigger Plunger	1				
13	106016	O-Ring	1	45	106071	Hex.Soc.Hd.Bolt M6*18	2				
14	106015	O-Ring	3	46	100046	Plain Washer	2				
15	106017	Cylinder Plate	1	47	106072	Nose	1				
16	106135	Cylinder	1	48	100925	Hex.Soc.Hd.Bolt M8*28	4	1. Orings – not included in the oring kits			
17	106137	O-Ring	1	49	106034	Hex.Soc.Hd. M5*16	1	2. Screws, bolts			
18	106019	O-Ring	1	50	106074	Safety Unit	1	3. Pins - roll pin, solid pins			
19	106022	Cylinder Ring	1	51	100571	Anchor Block Lock Nut	1	4. Standard washers – not special washers.			
20	106136	Cylinder Guide	1	52	106035	Spring, Contact Arm	1	5. Nuts			
21	106024	Washer	1	53	106059	Hex.Soc.Hd.Bolt M8*18	1				
22	106023	Com Spring	1	54	106075	Washer	1				
23	106026	Seal	1	55	106060	Positioning sheet	1				
24	106029	Frame Unit	1	56	106076	Nut	2				
25	106031	Seal, End Cap	1	57	106056	Magazine	1				
26	106032	End Cap	1	58	106055	Steel Channel	1				
27	100403	Hex.Soc.Hd.Bolt M5*18	3	59	106049	Pusher	1				
28	100966	Spring Pin	2	60	106050	Pin	1				
29	106042	Trigger	1	61	106053	Spring, Feed Piston	1				
30	106068	O-Ring	1	62	106054	Spacer Ring	1				
31	106069	Bumper	1	63	106064	Hex.Soc.Hd.Bolt M4*20	1				
32	106070	Gasket	1	64	106066	Screw M6*14	2				

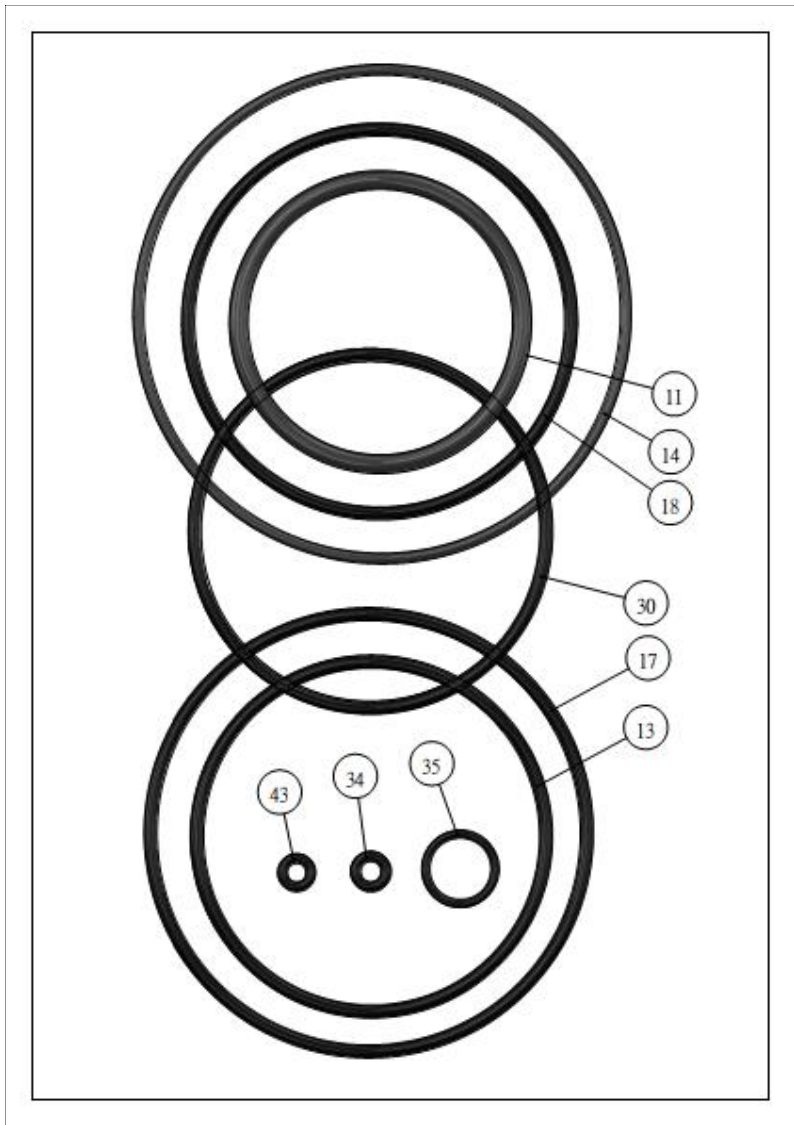
Part NO. 109406

Description Retail Kit FSN2283AD

Item No.	Part NO.	Description	Q'ty	Item No.	Part NO.	Description	Q'ty	Item No.	Part NO.	Description	Q'ty
5	106005	Cylinder Cap Seal	1	17	106137	O-Ring	1				
6	106006	Gasket A	1	18	106019	O-Ring	1				
8	106009	Gasket B	1	30	106068	O-Ring	1				
11	106014	O-Ring	1	34	106038	O-Ring	1				
13	106016	O-Ring	1	35	106041	O-Ring	3				
14	106015	O-Ring	3	43	106065	O-Ring	1				

Retail Kit





Everwin Pneumatic Corp.

104893 O-Ring Kit FSN2283A/AD

Item NO	Part NO.	Part Name	Q'ty
11	106014	O-Ring	1
13	106016	O-Ring	1
14	106015	O-Ring	3
17	106137	O-Ring	1
18	106019	O-Ring	1
30	106068	O-Ring	1
34	106038	O-Ring	1
35	106041	O-Ring	3
43	106065	O-Ring	1

FSN2283A/AD

O-Ring Kit

Part# 104893



Fits:

EVERWIN
FSN2283A / FSN2283AD

Interchange
NSR83-21HD

Pneutools
SN2283H

Hitachi / Metabo HPT
NR83A / NR83A5



everwinpneumatic